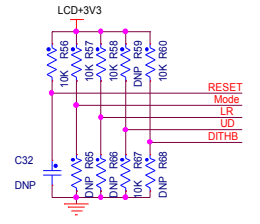
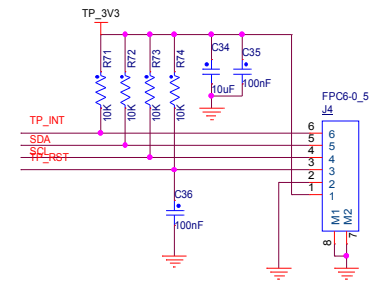
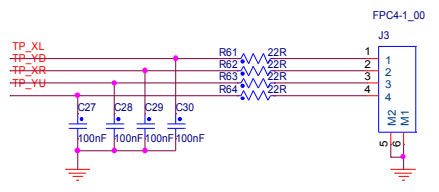
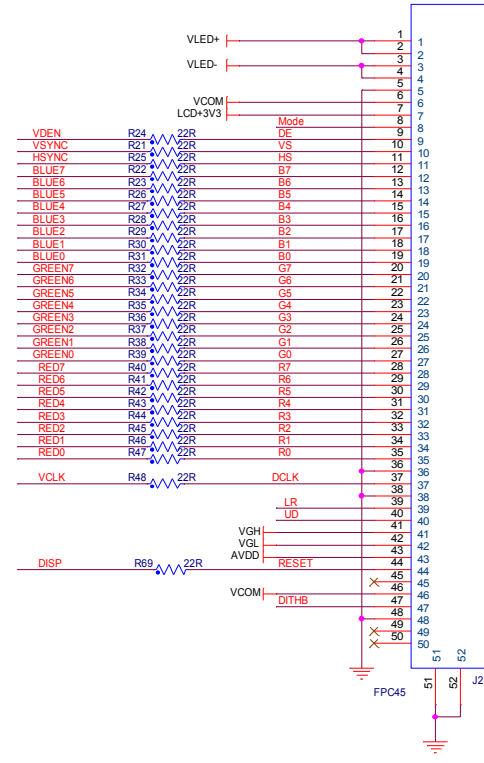
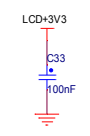
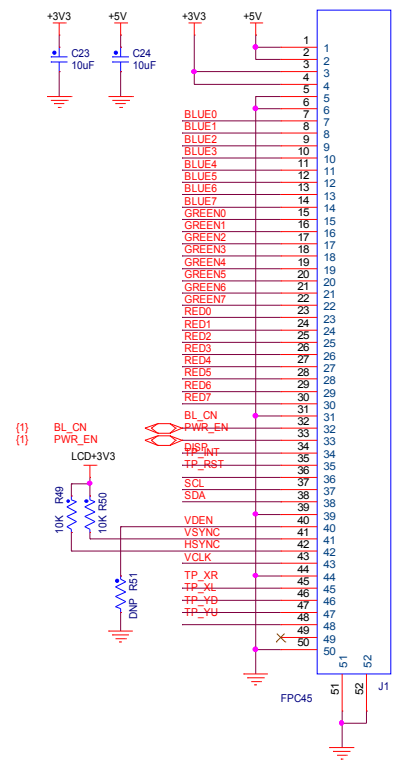
			http://www.i2som.com		
Document Name:	I2M-LCD70TP_V20		Draw By:	Mason	
Title:	Power		Rev:	V2.0	
Size: Custom	Date: Monday, August 26, 2019	Sheet: 1	of 2		



<http://www.i2som.com>

Document Name:	I2M-LCD70TP_V10		Draw By:
			Mason
Title:	LCD Connector		Rev:
			V2.0
Size:	Custom	Date:	Monday, August 26, 2019
		Sheet:	2 of 2