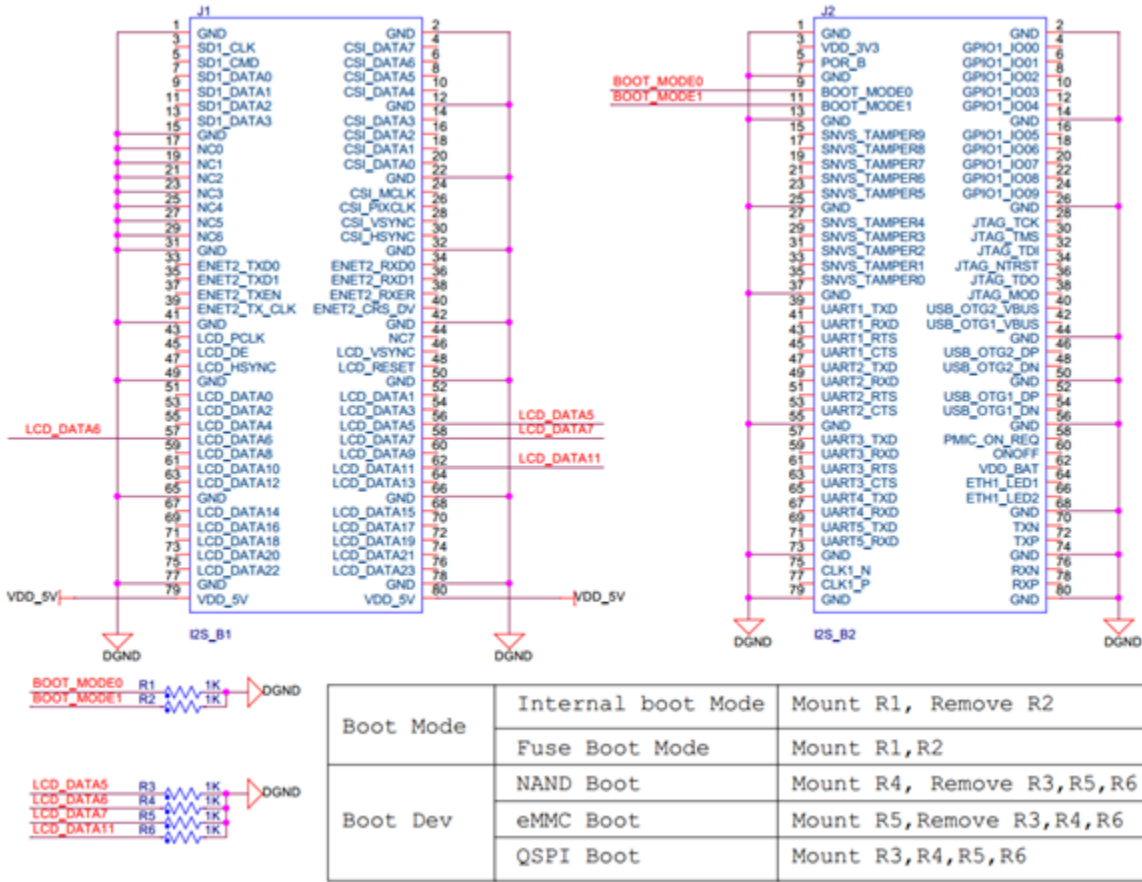


I2S-6UB5V



Fuse Boot ModeBoot Dev

- Internal BootLCD_DATA0-DATA23buffer
- CPU
- SD SD NAND Flash eMMC Flash
- VBAT,